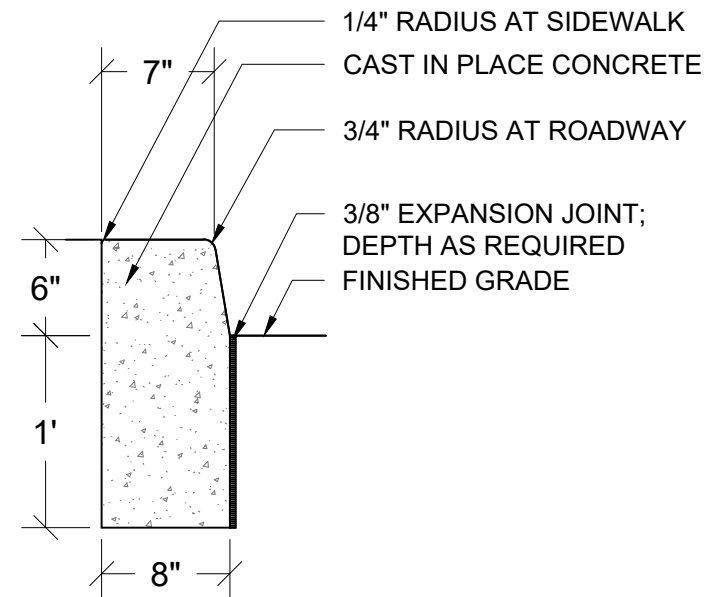


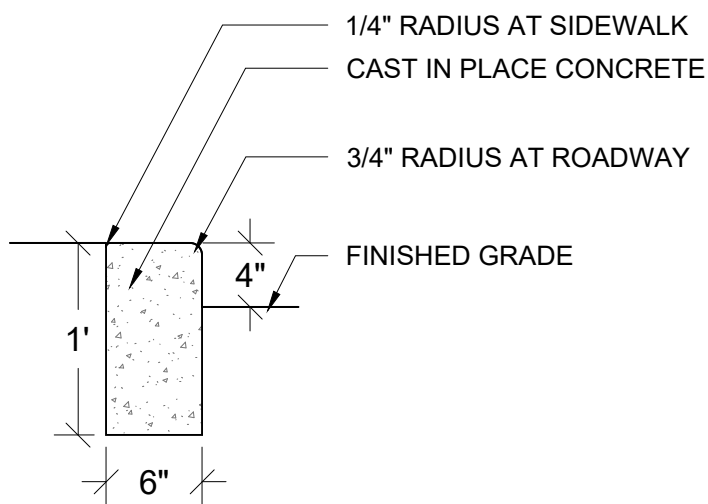
**VERTICAL FACE STREET CURB: SECTION**

SCALE: 1"=1'-0"



**BATTER FACE STREET CURB: SECTION**

SCALE: 1"=1'-0"



**SIDEWALK CURB: SECTION**

SCALE: 1"=1'-0"

**NOTE:**

1. CONCRETE COLOR TO MATCH ADJACENT EXISTING CONCRETE OR AS DIRECTED BY OFFICE OF THE UNIVERSITY ARCHITECT.