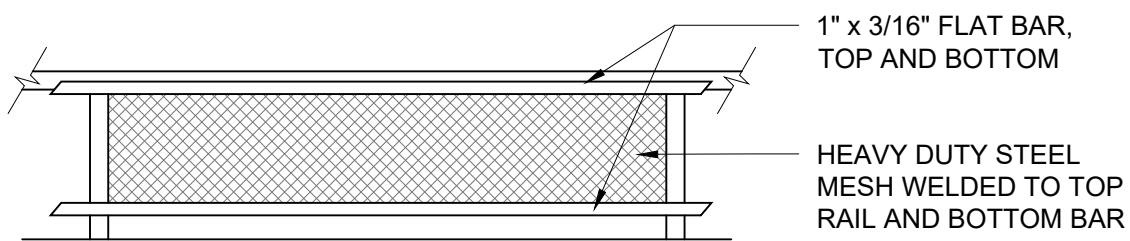


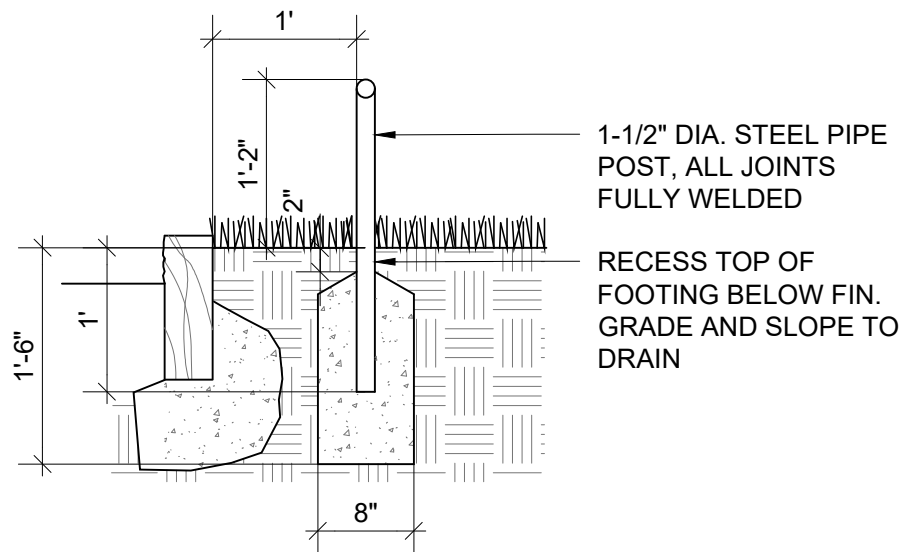
TYPICAL INSTALLATION: ELEVATION

SCALE: 3/4"=1'-0"



TYPICAL INSTALLATION WITH STEEL MESH: ELEVATION

SCALE: 3/4"=1'-0"

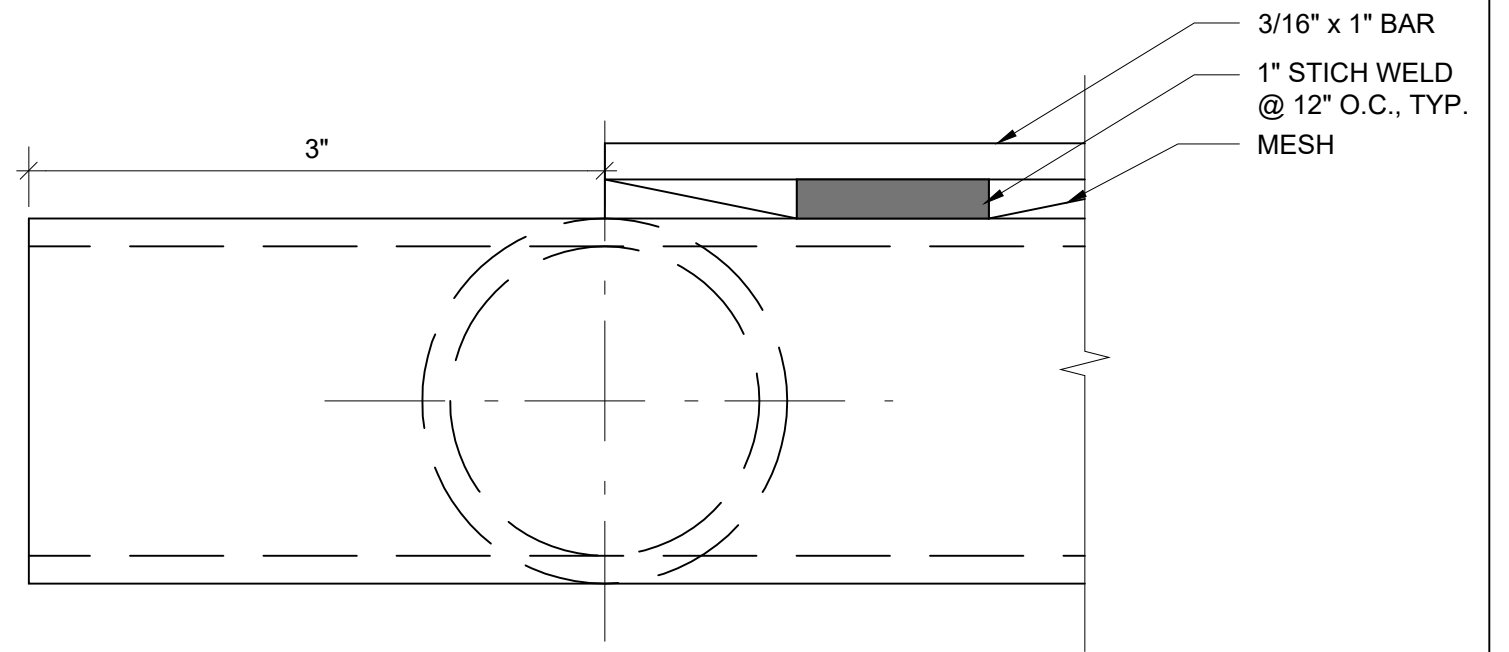


TYPICAL INSTALLATION BEHIND CURB: SECTION

SCALE: 3/4"=1'-0"

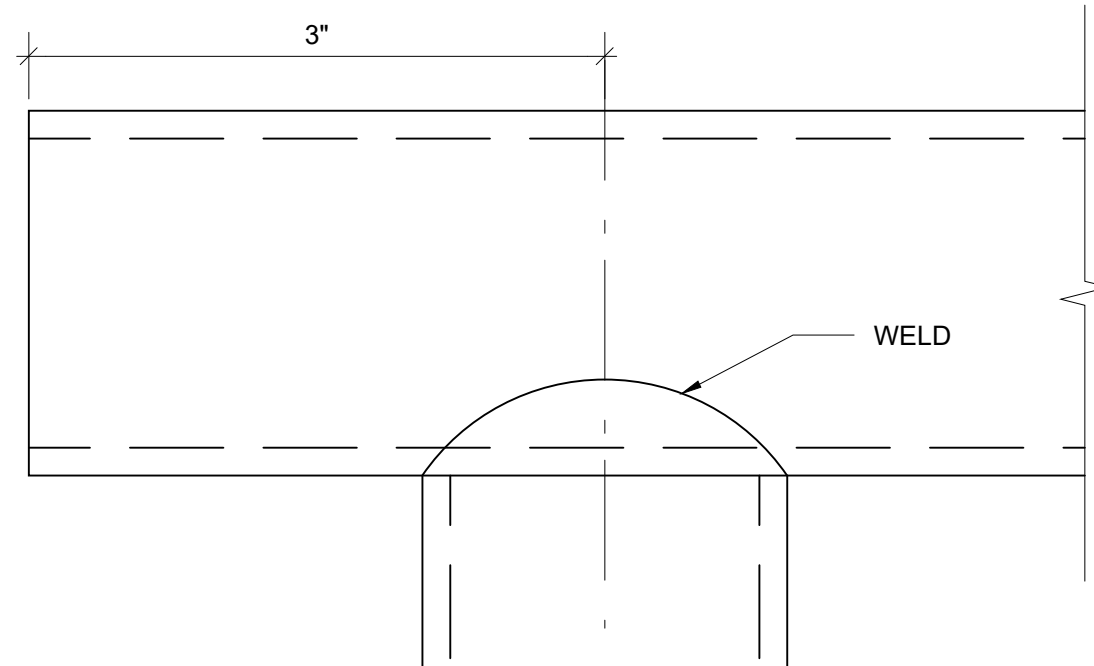
NOTES

1. PRIME AND PAINT PENN GREEN - RAL 6009 OR MAB 71874.
2. PIPE: 1-1/2" I.D., SCHEDULE 40.
3. MESH: FLATTENED EXPANDED METAL MESH 1/2" #13D AS AVAILABLE FROM McNICHOLS OR APPROVED EQUAL.



TYPICAL CONNECTION: PLAN

SCALE: FULL SIZE



TYPICAL CONNECTION: SECTION

SCALE: FULL SIZE

CSI 32 31 20
PIPE RAIL
 LANDSCAPE STANDARDS



PRIOR TO CONSTRUCTION, CONFIRM LAYOUT, DIMENSIONS, ADJACENT UTILITIES AND FINAL MATERIALS WITH U OF P OFFICE OF THE UNIVERSITY ARCHITECT. THIS DETAIL TO BE USED AS A GUIDE ONLY. SPECIFIC REVISIONS FOR SITE CONDITIONS AND INTENT ARE THE RESPONSIBILITY OF THE INDIVIDUAL PROJECT DESIGNER.

Facilities & Real Estate Services
 Office of the University Architect
 2022